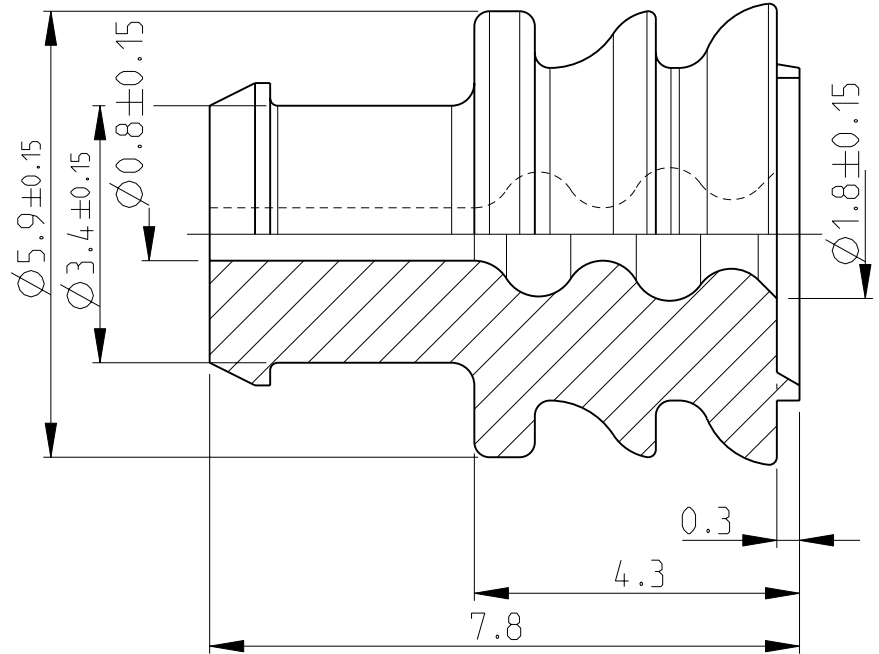
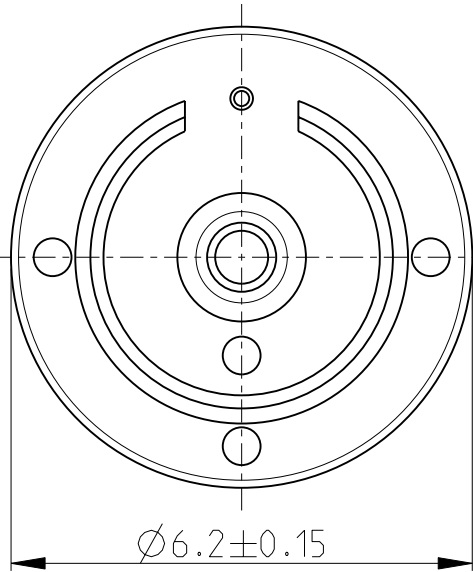



LOC	DIST	REVISIONS					
AI	-	P	LTR	DESCRIPTION	DATE	DWN	APVD
			M8	REVISED PER ECO-11-005150	31MAR2011	RK	HMR





BEMERKUNGEN
NOTES

- 1 Einzelheiten der Ausfuehrung bleiben dem hersteller ueberlassen
DETAILS OF DESIGN ARE LEFT TO MANUFACTURER
- 2 Passend fuer Drahtgroessenbereich: 0.35-1mm²
SUITABLE FOR WIRE SIZE RANGE:  1:1
- 3 Passend fuer Isolationsdurchmesser: 1.2-2mm
SUITABLE FOR INSULATION DIAMETER:
- 4 Bestueckungshilfe fuer Einzelleiterabdichtung siehe: TE Connectivity: 965702
INSERTER FOR SINGLE WIRE SEAL SEE:
- 6 Keine Luftloecher zulaessig
NO AIR BUBBLES PERMITTED

828920-2	M	DARK BLUE	VMQ-50, SILICON OIL FREE
828920-1	M	GREY	VMQ-50, 50% SELF-LUBRICATING
PART NO.	REV.	COLOUR	MATERIAL

RELEASED FOR PUBLICATION
 ALL RIGHTS RESERVED.
 THIS DRAWING IS UNPUBLISHED.
 COPYRIGHT -

DIMENSIONS: mm	DWN Gaupp, P. 17APR1997	MATERIAL	SEE TABLE	FINISH	-
TOLERANCES UNLESS OTHERWISE SPECIFIED: DIN 16901-160	CHK Kuempel, D. 21APR1997	 TE Connectivity			
0 PLC ±	APVD -				
1 PLC ±	PRODUCT SPEC	NAME			
2 PLC ±	108-18263-1	RUBBER PLUG DIA. 2,5mm SYSTEM			
3 PLC ±	APPLICATION SPEC	SIZE	CAGE CODE	DRAWING NO	RESTRICTED TO
4 PLC ±	114-18031	A 4	00779	©-828920	-
ANGLES ±°	WEIGHT -	CUSTOMER DRAWING			
		SCALE	10:1	SHEET	1 OF 1
					REV M8